

**1080P Full HD IR Human Detection  
Speed Dome Camera  
TS602G-HJ-BGQ11**



7 Temasek Boulevard Level 32, Suntec Tower One Singapore 038987  
Phone: +65 6678-6557 Email: [sales@revlightsecurity.com](mailto:sales@revlightsecurity.com)

# Features

1. 20x optical zoom 4.7-94mm zoom lens camera 1080P CMOS sensor Full HD Resolution
2. 6PCS high quality Array IR LED + 4PCS Long range laser infrared LED + 2PCS Warm light LED (For light alarm), automatically switch the IR LED according to the moving objects' distance, can detect moving objects within 200 meters range.
3. Automatic focus, automatic white balance, Manual white balance, supports Saturation setting, Contrast setting, sharpness setting, brightness setting, backlight compensation setting, high-light printing setting, 2D/3D noise reduction intensity setting, fog penetration function setting, WDR mode intensity setting
4. Supports AI human detection, fast detection, high accuracy, can set alert zone in any shape and size. Once a human is entering the alert zone, the warm light turns on and the audio alarm sounds, the camera starts tracking the moving human.
5. Supports custom Audio alarm. Clients can record their own audio as alarm, or upload MP3 file on the WEB page or configuration tool to set as the Alarm audio.
6. Built-in audio pickup and microphone, two way intercom, sound& light alarm.
7. Mobile APP / PC software: Seetong
8. Support Seetong private protocol and ONVIF protocol.
9. Built-in anti-surge and lightning protection device, effectively prevent 4000V instantaneous current.

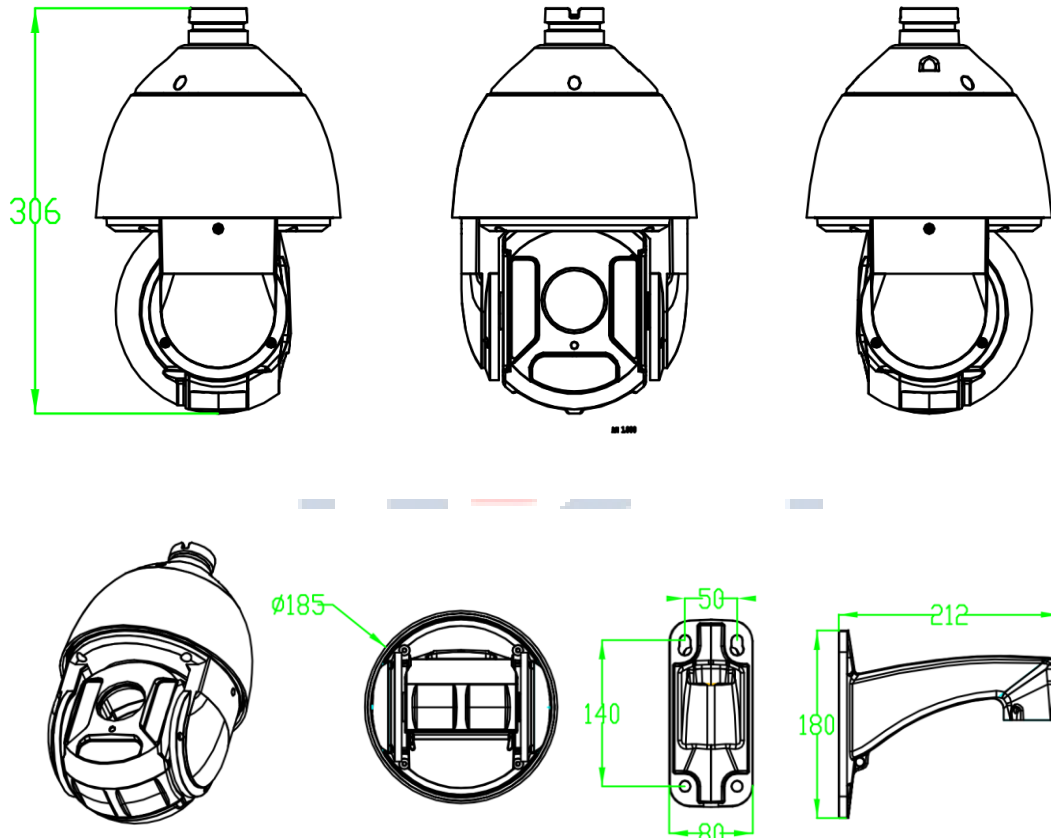
## Technical parameters

Model number	TS602G-NJ-BGQ11
Image Sensor	1080P 1/2.8" CMOS Sony IMX307
Image Processor	Hi3516Ev200
Resolution	1920*1080 1080P
Minimum Illumination	Color <a href="#">0.001Lux@F1.2</a> (AGC ON), black& white 0Lux (IR ON)
Electronic shutter	Auto/ Manual (1/10~1/10000 秒)
Day & Night	Support IR-CUT
lens	4.7-94mm

Optical zoom	20 times
<b>FNO</b>	F1.6-F3.5
<b>Field angle</b>	55.2°-3.2°
<b>IR control</b>	Auto switch of IR/ Laser IR
<b>IR distance</b>	≥200 meters
<b>Rotation angle</b>	level: 0°~360° continuous rotation; vertical: -5°~90°
<b>Rotation speed</b>	Key control: Horizontal 0.1°~100°/S; Vertical: 0.1°~100°/S
<b>Preset Point</b>	255 points
<b>PTZ function</b>	Supports single preset point and multiple preset points Cruise alert (Can set up to 5 preset points for cruise alert) , supports 4 routine preset points cruise alert, 1 line scan, 1 Along-Track Scanning , 1 horizontal scanning .
<b>Auto mode</b>	Supports idle action, power on action, rotation speed can be automatically adjusted according to the lens
<b>OSD Menu</b>	Supports English and Chinese menu
<b>Human vigilance</b>	Supports human detection and sound& light alert, human tracking, can set any size and shape alert area.
<b>Video compression format</b>	H.265+/H.265/H.264
<b>Image resolution</b>	Mainstream: 1920×1080,1280×960,1280×720; Substream: 800×448,640×480,640×360,352×288;
<b>Network protocol</b>	HTTP,TCP/IP,IPv4,DHCP,NTP,RTSP,ONVIF,P2P,PPTP,GB/T28181, ETC.;
<b>User management</b>	Support multilevel user authority management
<b>Network port</b>	10/100M Adaptive Ethernet interface, lightning protection design Differential mode: > 2000V, Common mode > 6000V
<b>Audio</b>	1ch audio input and 1ch audio output
<b>Power supply</b>	DC12V4A
<b>Power consumption</b>	30W
<b>Working environment</b>	Temperature: -40~60°C; Humidity: <90%
<b>Protection Grade</b>	IP66, 4000V Anti-thunder, anti-shock and Protection against penetration
<b>Material</b>	Aluminium casting
<b>Product size</b>	<b>Φ185(mm)×287(mm)</b>
<b>Weight</b>	<b>4.5kg (gross weight including the packing)</b>
<b>Bracket</b>	Bracket for installing on wall or on ceiling optional

44\*27\*25cm packing

Product size:



**REVLIGHT**  
SECURITY